

ConVey

SERIES 78



ECONOMICAL
DIRECT MOUNT
3-PIECE BALL VALVES

DIRECT MOUNTING OF
ACTUATOR TO VALVES



DESIGN ADVANTAGES

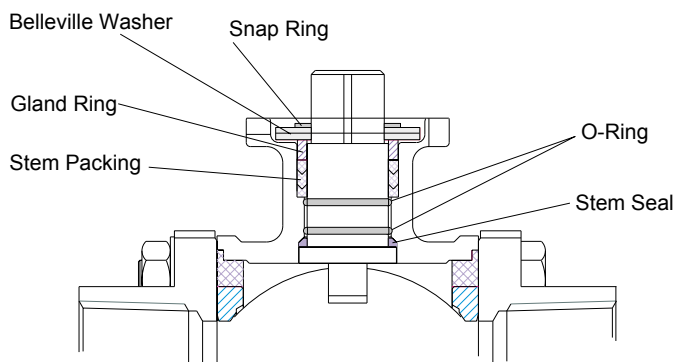
- ISO 5211 DIRECT MOUNT PAD
Allows direct mounting of pneumatic and electric actuators, no brackets and couplings needed, easy and low cost for automated service.
- SIMPLE AND LOW COST AUTOMATION
Constructed with a fully machined ISO 5211 mounting pad for direct installation of actuator, no brackets and couplings needed, saves time and labor.
- LIVE LOADED HIGH CYCLE STEM SEAL
Insures tight seal and extends service life.
- DOUBLE O-RING STEM BEARING
Maintains stem alignment, and reduces packing side loading and wear, enhances stem seal.
- BLOW OUT PROOF STEM
- 3-PIECE SWING OUT DESIGN

VALVE FIG. NO. AND END CONNECTIONS

- FIG. 78-10 THREADED END
- FIG. 78-20 SOCKET WELD
- FIG. 78-30 BUTT WELD
- FIG. 78-40 EXTENDED BUTT WELD
- FIG. 78-50 FLANGED END (PN 25/40 F1)
- FIG. 78-60 TRI-CLAMP END

DOUBLE O-RING STEM BEARING SYSTEM

Maintains stem alignment, and reduces packing side loading and wear, provides extra longer service life.



SPECIFICATIONS

Construction : 3-Piece Body, Full Bore
 Size : 1/2" to 4" (DN15 to DN100)
 Body : CF8M, WCB / 1.4408, 1.0619
 Ball & Stem : 316 S.S.
 Seats : PTFE
 Rating : 1/2" ~ 2" 1000 PSI / PN 64
 2 1/2" ~ 4" 800 PSI / PN 50
 Temperature : -40° F ~ 385° F (PTFE)

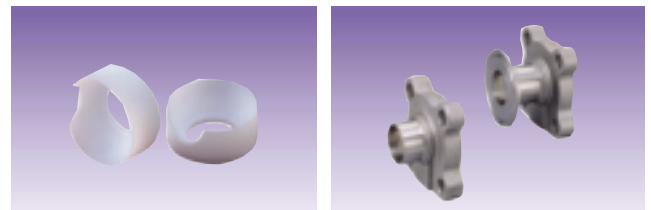
OPTIONS

SANITARY BALL VALVES

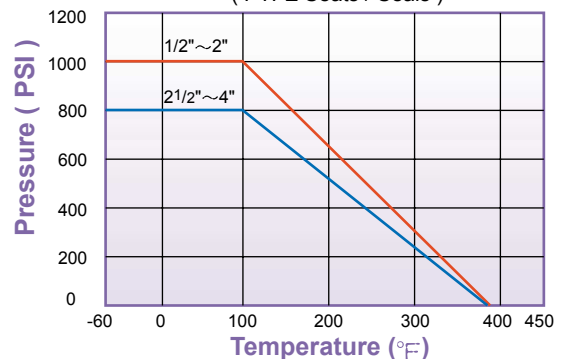
Seat : Cavity Fillers

End Connections : Tri-Clamp Ends, Tube OD BW

Body and End Material : 316L

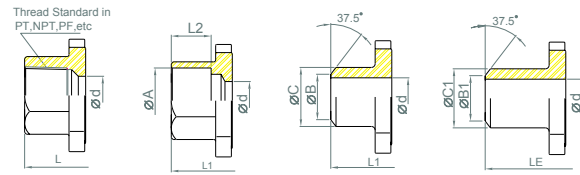


Pressure / Temperature Chart
(PTFE Seats / Seals)

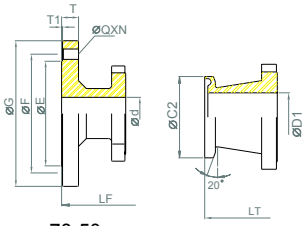


BREAK AWAY TORQUE & Cv VALUES

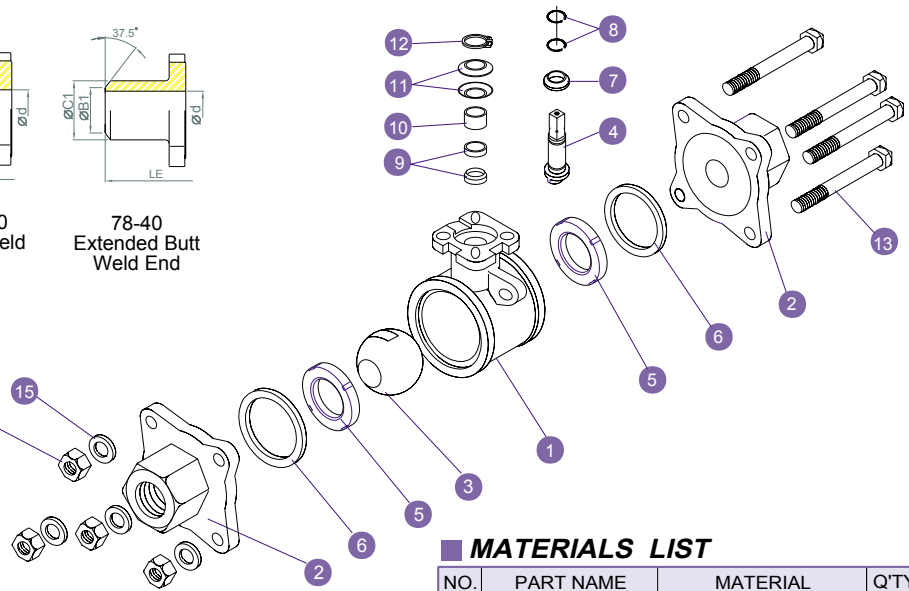
SIZE	BREAK AWAY TORQUE		Cv U.S.GPM
	Nm	In-Lb.	
1/2"	3	30	13
3/4"	6	45	33
1"	10	70	50
1 1/4"	14	110	82
1 1/2"	18	160	120
2"	22	200	240
2 1/2"	32	270	325
3"	50	450	586
4"	80	710	1023



78-10 Threaded End
78-20 Socket Weld End
78-30 Butt Weld End
78-40 Extended Butt Weld End



78-50 Flanged End (PN25/40 F1)
78-60 Tri-Clamp End



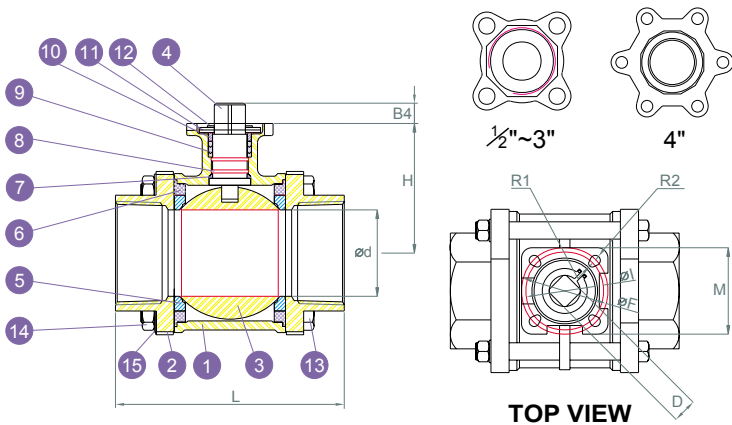
MATERIALS LIST

NO.	PART NAME	MATERIAL	Q'TY
1	Body	ASTM A351 GR. CF8M	1
2	End Cap	ASTM A351 GR. CF8M	2
3	Ball	ASTM A351 GR. CF8M	1
4	Stem	ASTM A276 TYPE 316	1
5	Seat	PTFE	2
6	Gasket	PTFE	2
7	Stem Seal	PTFE	1
8	O- Ring	VITON	2
9	Stem Packing	PTFE	*
10	Gland Ring	ASTM A276 TYPE 304	1
11	Belleville Washer	ASTM A276 TYPE 301	2
12	Snap Ring	ASTM A276 TYPE 304	1
13	Bolt	ASTM A276 TYPE 304	&
14	Bolt Nut	ASTM A276 TYPE 304	#
15	Bolt Washer	ASTM A276 TYPE 304	#

* For 1/2"-1pcs; 3/4"-2pcs; 1"-4"-3pcs.

& For 1/2"-3"-4pcs; 4"-6pcs.

For 1/2"-2"-4pcs; 2 1/2"-3"-8pcs; 4"-12pcs.



TOP VIEW

DIMENSIONS(mm)

SIZE	Ød	H	B4	D	ØF	ØI	M	R1	R2	ØA	ØD1	ØB	ØC	ØB1	ØC1	ØC2	ØE	ØF	ØG	T	T1	ØQ	N	L	L1	L2	LE	LF	LT	W(kg)	ISO5211
1/2"	15.0	43.0	9.0	9.0	42	36	42	3	3	22	9.5	26.0	28.0	18.2	21.0	25.0	45	65	95	16	2	14	4	65.5	64.5	11.0	225	130	89	0.52	F03/F04
3/4"	20.0	46.5	9.0	9.0	42	36	42	3	3	27.5	15.9	33.0	35.5	23.2	21.0	25.0	58	75	105	18	2	14	4	79	80	13.5	225	150	101	0.72	F03/F04
1"	25.0	50.3	12.0	11.0	50	42	50	3	3.5	34.5	22.2	40.0	43.0	28.2	31.5	50.4	68	85	115	18	2	14	4	86	86	13.5	245	160	114	1.02	F04/F05
1 1/4"	32.0	55.0	12.0	11.0	50	42	50	3	3.5	43.3	49.0	52.5	35.2	39.0	78	100	145	18	2	18	4	105	105	14.0	255	180	172	1.72	F04/F05		
1 1/2"	38.0	67.5	14.0	14.0	70	50	70	3.5	4.5	49.2	34.9	55.0	59.0	41.2	46.0	50.4	88	110	150	18	3	18	4	119	120	15.0	260	200	140	2.42	F05/F07
2"	50.0	75.5	14.0	14.0	70	50	70	3.5	4.5	61.2	47.5	67.5	72.0	53.2	58.0	63.9	102	125	165	20	3	18	4	133	134	17.5	275	230	156	3.6	F05/F07
2 1/2"	65.0	95.0	18.0	17.0	102	70	102	4.5	5.5	77.0	60.3	86.0	92.0	69.0	75.0	77.4	122	145	185	22	3	18	8	163	163	18.5	334	290	197	7.52	F07/F10
3"	80.0	105.0	18.0	17.0	102	70	102	4.5	5.5	89.9	73.0	100.0	107.0	84.0	90.0	90.9	138	160	200	24	3	18	8	183	184	20.0	354	310	229	10.8	F07/F10
4"	100	126.0	24.0	22.0	125	102	125	5.5	6.5	115.0	97.4	127.5	136.0	104.0	113.0	118.9	162	190	235	24	3	22	8	228	228	25.0	365	350	243	19.5	F10/F12

HOW TO ORDER

VALVE TYPE	SIZE	BODY MATERIAL	SEAT	HANDLE
78-10 Threaded Ends	03 1/2"	S CF8M	P PTFE	None With Handle
78-20 Socket Weld	04 3/4"	W WCB	R R-PTFE	Without Handle
78-30 Butt Weld	05 1"	L 316L	S 50/50 S.S.	
78-40 Extended BW	06 1 1/4"	F CF8	filled PTFE	
78-50 Flanged (PN25/40 F1)	07 1 1/2"		C Carbon filled	
78-60 Tri-Clamp End	08 2"		PTFE	
	09 2 1/2"		D Delrin	
	10 3"		M MG1241	
	11 4"		U UHMWPE	

Distributor: